

# BM 3001

## PAGING MICROPHONE

### DESCRIPTION

The BM 3001 Desktop Paging microphone allows to send announces toward a single zone and it is the ideal complement for the ES 3160 and ES 3323 receiver amplifier. It can also be used with other mixer-preamplifiers equipped Phantom Power (18 V - 48 V).



### FEATURES

- Plastic body with 300 mm gooseneck
- PTT button with LED
- Power supplied by 'Phantom' (18 ÷ 48 V dc)
- Ready for direct connection to amplifiers ES 3080, ES 3160-II, ES 3323-II, AM 2160, AM 2320, AM 2080, UP 2161, UP 2321, UP 2081.
- Chime activation on ES 3080, ES 3160-II, ES 3323-II, AM 2160, AM 2320, AM 2080
- Polyurethane foam wind screen
- 5 m connecting cable (with RJ 45 plugs) included

## TECHNICAL SPECIFICATIONS

<b>Microphone specifications</b>	Type:	Desktop paging microphone with electret capsule
	Directivity:	Cardioid
	Frequency Response (-3dB):	50 Hz ÷ 18 kHz
	Minimum load impedance (ohm):	470.00 ohm
	Nominal output voltage @3.3 kohm (mV RMS):	100.00 mV RMS
	Phantom power:	Yes
	Phantom Power:	18 V DC - 48 V DC
<b>Console specifications</b>	Console Type:	Paging
	General call:	Yes
	Number of zones:	1
	LED indicators:	Yes
<b>Power requirement</b>	Power consumption:	2.80 mA
<b>Connections</b>	Connectors:	RJ45
<b>Functionalities</b>	Smart PTT:	Yes
<b>Accessories</b>	Cable included:	Yes
	Cable length (m):	5
<b>Standard compliance</b>	CE marking:	Yes
<b>Physical specifications</b>	Cabinet/Case Material:	Plastic
	Color:	Grey
<b>Size</b>	Height:	48 mm / 1.89 inches
	Width:	100 mm / 3.94 inches
	Depth:	159 mm / 6.26 inches
	Weight:	0.73 kg / 1.61 lbs
<b>Shipping informations</b>	Package Height:	144 mm / 5.67 inches
	Package Width:	329 mm / 12.95 inches
	Package Depth:	129 mm / 5.08 inches
	Package Weight:	1.18 kg / 2.6 lbs

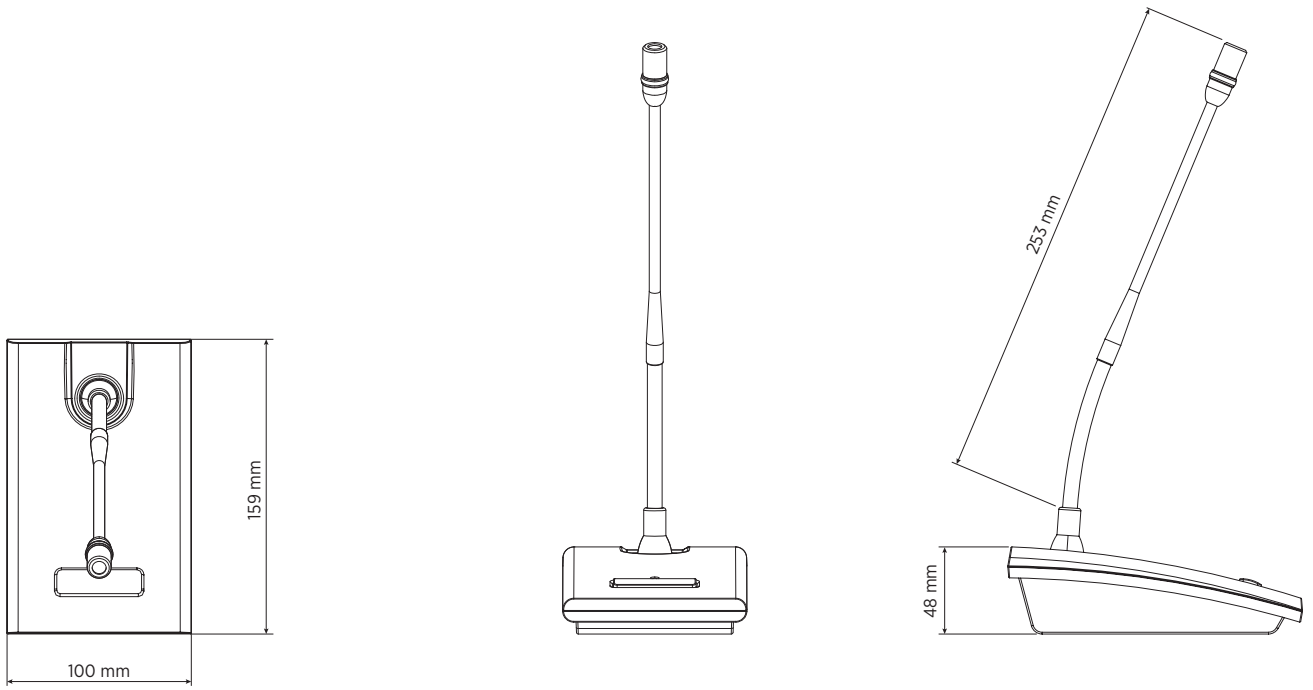
## PART NUMBER

- **14322008**

BM 3001

EAN 8024530006228

**DRAWINGS**



**PANELS**

Front panel

